

FLEXMILL CRUSHER RANGE

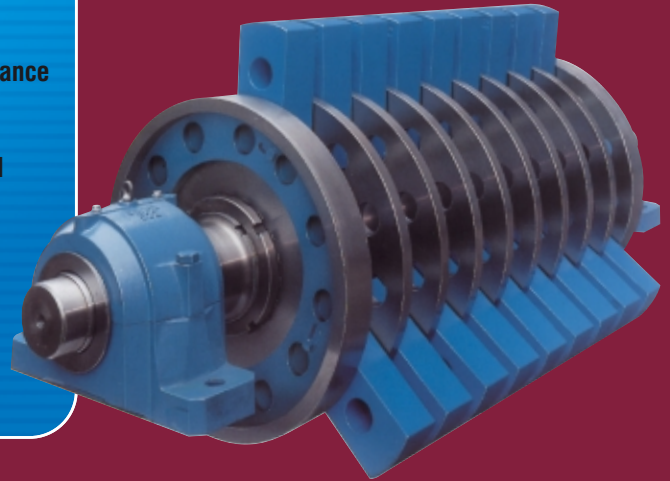
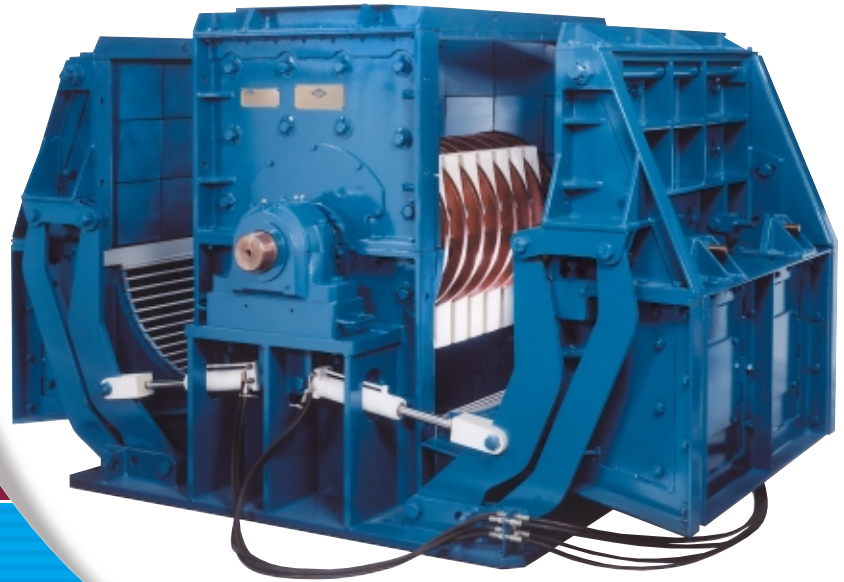
High throughput crushers with low operating costs

The Flexmill offers the operator a new approach in flexibility of design and incorporates features which give advantages in operation and maintenance, leading to increased profitability.

It has the option of reversible operation which gives maximum utilisation of hammer life, variety of product through changing rotor direction, whilst making valuable savings on down-time.

BENEFITS

- High reduction ratios and high quality good shaped product
- Capacities up to 1000 TPH depending on duty
- Increased wear life
- Easy access for low cost maintenance
- Quick fit interchangeable liners
- Modular construction – fabricated frames
- Choice of bearing design
- Long life 'Easy Lube' bearings
- Remote control options
- Optional feed opening

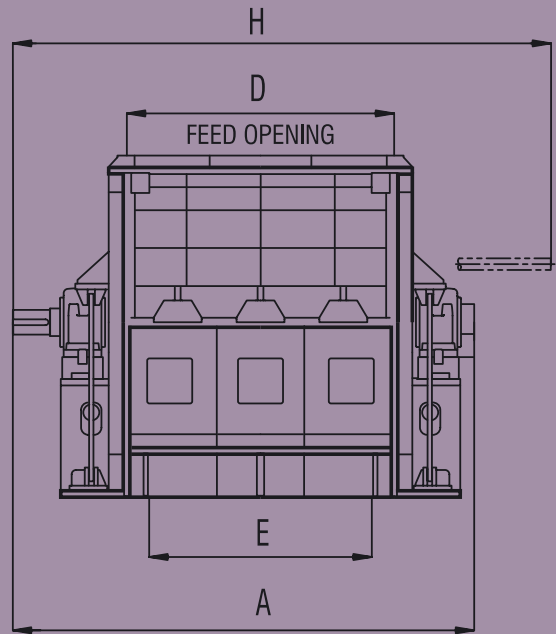
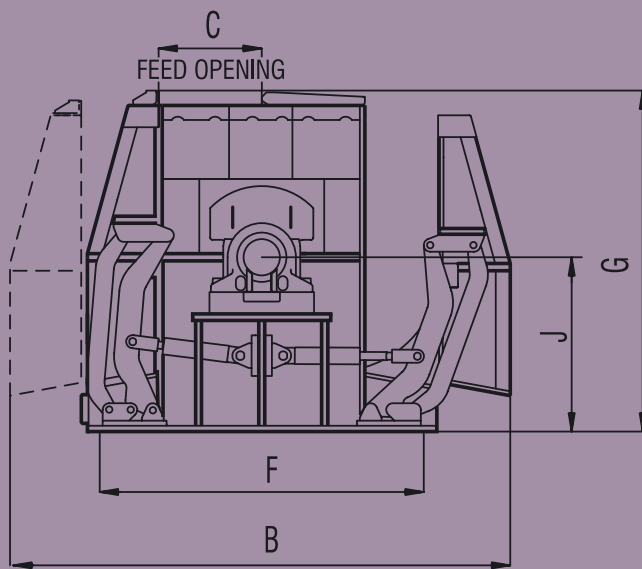


SPECIFICATION SUMMARY

- Five standard model sizes
- Rotor diameters range from 1.0 to 1.7 metres
- Rotor widths from 1.1 to 2.0 metres
- Hydraulic side openings

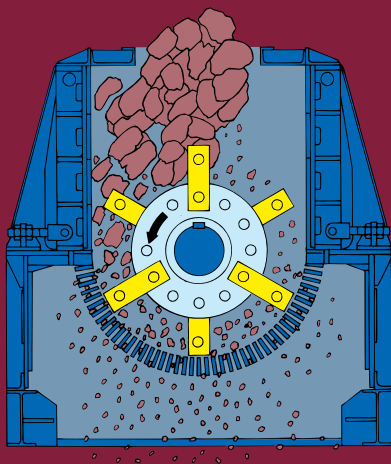


FLEXMILL SPECIFICATIONS



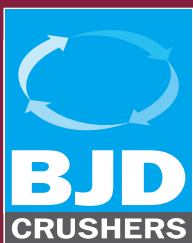
MODEL	A	B	C	D	E	F	G	H	J	APPROX. WEIGHT MACHINE ONLY (Kg)
1011	2300	3020	512	1270	1290	1696	1817	2504	950	8583
1014	2575	3020	512	1530	1550	1696	1817	2970	950	9845
1417	3176	3422	710	1790	1810	2066	2347	4505	1200	22100
1420	3476	3422	710	2090	2110	2066	2347	4805	1200	26500
1720	3780	4200	1070	2236	2246	2283	3000	5490	1550	37135

Standard Flexmill range – other sizes available on request.



WIDE RANGE OF APPLICATIONS

QUARRIES	Medium strength rock
BRICKWORKS	Grog, shale, bricks
CEMENT	Secondary crushing
COAL	Pulverised coal
FERTILISERS	Phosphates etc.
LIME INDUSTRY	Burnt lime
WOOD	Timber offcuts/chipboard for boiler firing. Demolition timber and pallets
WASTE	Secondary shredding for pellet production
GYPSUM WORKS	Raw or calcined gypsum



BJD Crushers Ltd.

Tel: +44 (0)1226 241 425

Email: sales@bjdcrushers.co.uk

www.bjdcrushers.co.uk



Capacities, dimensions and weights will vary with the characteristics of each individual material.

The details contained within this leaflet are for information purposes only and we reserve the right to change product specifications without prior notice.