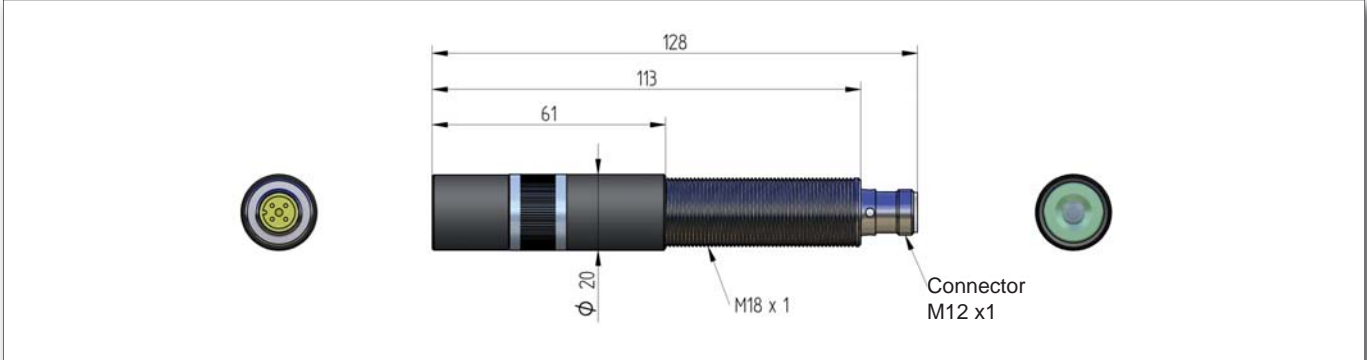


ZM-18S

Analysis / Measurement

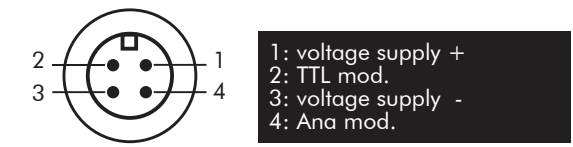
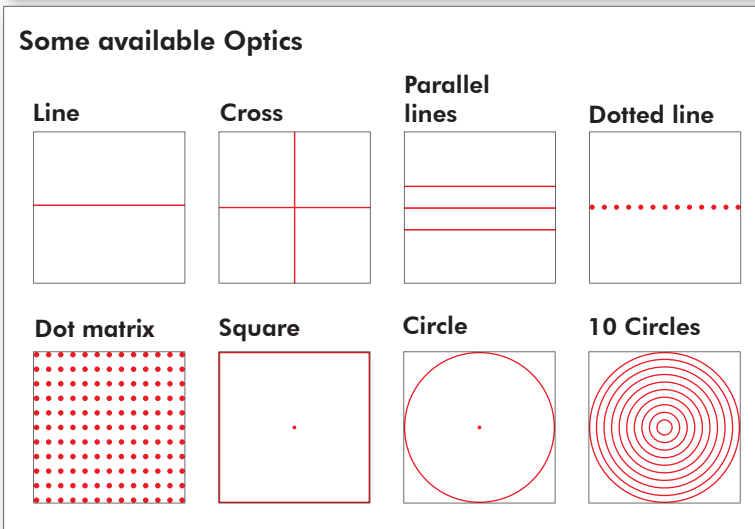


Brand new product for high-end applications



- ### Features
- 9-30VDC operation with reverse polarity protection
 - Power up to 200mW
 - Red, infrared wavelengths available
 - Gaussian, uniform and DOE optics available
 - Simple, external hand focusing mechanism
 - Analogue intensity control (up to 32 steps) with digital TTL Trigger up to 1 KHz
 - IP67 rated, fully water proof
 - Thread mounted for simple and versatile mounting
 - LED laser operation and pre-failure indicator
 - Over voltage protection with surge/spike protection
 - Quick installation by M18 thread for Sensor mounting or Z-LASER standard mounting H8-M18
 - Wide range of diodes and optics
 - Potential-free housing for trouble-free installation

- ### Applications
- Positioning
 - Textile industry
 - Food industry
 - Medical science
 - Automotive industry
 - Science & Research
 - Machine Vision
 - Metrology
 - 3D Measurement



Specifications

Optical

Optical stability	0,15% / °C
Wavelength vs. temperature	Typ. 0,25nm / °C
Range of focus	100mm up to ∞
Divergence of beam	≤ 1mrad (with dot optic)
Pointing stability	< 15μrad / °C

Optics

Line (Gaussian profile)	60°, 90°, symmetrical or asymmetrical
Line (Non Gaussian profile)	10°, 20°, 30°, 45°, 60°, 90°
Point	elliptical or circular
DOE	see examples on front side

Standard wavelengths and power (other on request)

635nm, 640nm, 643nm, 808nm, 980nm	up to 200mW depending on wavelengths
-----------------------------------	--------------------------------------

Electrical

Supply voltage	9-30VDC
Mode of operation	APC with current limiting
Modulation	Analogue intensity control (up to 32 steps) and digital TTL Trigger up to 1 kHz
Protection	reverse polarity and transient/ESD, over temperature protection and LED pre-failure indicator
Connection	M12 plug, 4-pin

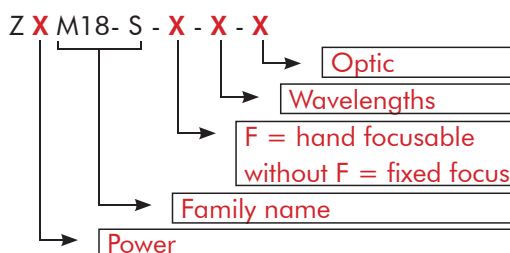
Mechanical

Dimensions	128mm x Ø 20mm
Housing	Laser: M18 industry housing, chromed brass Optic head: anodised aluminium
Protection category	IP 67
Weight	ca. 87g
Electrical isolation	potential free housing

Environmental conditions

Case temperature (with Z-LASER mounting)	-10°C up to +50°C (with mounting H8-M18)
Storage temperature	-10°C up to +80°C
Humidity	Max. 90%, non condensing
MTTF at 25°C	> 30.000h (635 -980nm), > 100.000h (808 +980nm)

Order code:



© **Z-LASER** / Subject to change

Z-LASER Optoelektronik GmbH • Merzhauser Str. 134 • 79100 Freiburg • Germany
Tel.: +49/761/296 44 44 • Fax: +49/761/296 44 55 • info@z-laser.de • www.z-laser.com